



**Range DN: 10 ~ 300**



**Range PN: 16 ~ 100**



PED 97/23/EC  
PED 2014/68/EU



TR TS 10/11,  
12/11, 32/11



CERTIFICATE  
EN 12 569

**Operating temperature: -196 °C ~ 550 °C**

**Connection into piping: Flanged, welded ends, threaded ends, combined execution**

## DESCRIPTION

Z15 lift check valves are automatic check valves. They automatically prevent the reverse flow of the medium. The medium can flow in one direction only. These valves are designed and manufactured to ensure maximum service life and reliability.

## MATERIAL SPECIFICATION

Z15 lift check valves are made from carbon, alloy and stainless steels. The material type can be adjusted according to the customer's request to optimally suit the operating conditions.

## APPLICATION

Z15 lift check valves are suitable for various liquids, gases and steam.



## BASIC STANDARDS FOR DESIGN

### Basic design

EN 13 709

### Pressure-temperature rating

EN 12 516 - 1

### Testing

EN 12 266 - 1, 2

### Face-to-face dimensions

EN 558, EN 12 982

### Dimensions of the welded ends

EN 12 627

### Top Flange dimensions

None

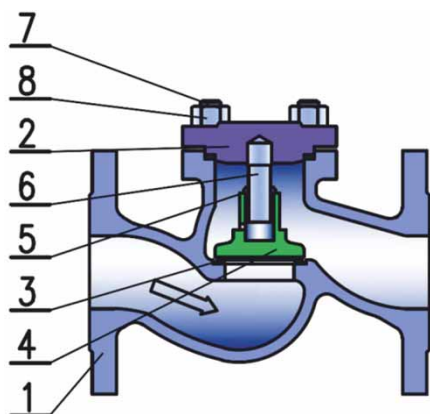
### Flange dimensions

EN 1092 - 1

### Special

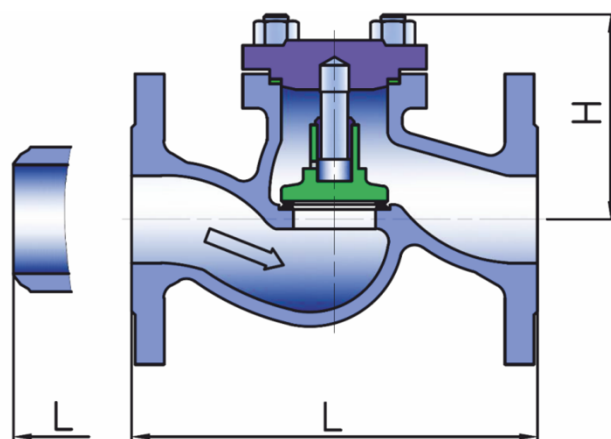
NACE MR-0175

## MATERIAL SPECIFICATION



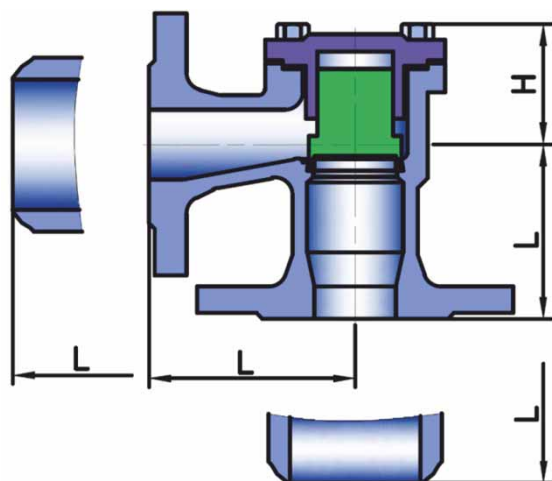
ITEM	NAME	MATERIAL	
1	BODY	GP240GH (1.0619), P250GH (1.0460), GS21Mn5, 422643, 422745,	1.4408, 1.4541, 1.4571, 422931, 422942
2	BONNET		
3	BODY SEAT PLUG SEAT	18-8-Cr Ni 13Cr, 17Cr, Stl.6	
4	PLUG	1.4031, 1.4028, 1.4571, 17242	
5	SLEEVE	1.4031, 1.4028, 1.4571, 17242	
6	PLUG GUIDE		
7	BONNET STUD	8.8	A2-70
8	NUT	8.8	A2-70

## DIMENSIONS - DIRECT



DN	PN 16, 25				PN 40				PN 63				PN 100			
	L		H	Mass (kg)	L		H	Mass (kg)	L		H	Mass (kg)	L		H	Mass (kg)
	1	2			1	2			1	2			1	2		
10	130	130	65	1,8	130	130	66	2,2	210	210	75	2,7	210	210	75	2,7
15	130	130	65	2,2	130	130	66	3	210	210	75	3	210	210	75	3,5
25	160	160	75	3,6	160	160	80	5	230	230	100	5,1	230	230	100	5,2
32	180	180	90	5	180	180	88	7	260	260	110	10,8	260	260	110	11
40	200	200	100	7,5	200	200	105	10	260	260	115	11,8	260	260	115	12
50	230	230	110	9,5	230	230	115	13	300	300	130	14,3	300	300	130	15,5
65	290	290	130	16	290	290	135	21	340	340	150	25	340	340	150	35
80	310	310	140	20	310	310	145	29	380	380	165	33	380	380	165	42
100	350	350	170	31	350	350	175	43	430	430	185	57	430	430	185	65
150	480	480	235	67	480	480	240	98	550	550	260	118	550	550	260	150
200	600	600	280	152	600	600	285	188	650	650	310	220	650	650	310	273
250	730	730	340	180	730	730	350	222	775	775	365	260	775	775	365	312
300	850	850	400	230	850	850	410	280	900	900	430	350	900	900	430	416

## DIMENSIONS - ANGLE



DN	PN 16, 25				PN 40			
	L		H	Mass (kg)	L		H	Mass (kg)
	1	2			1	2		
10	90	90	65	2,5	90	90	66	3,5
15	90	90	65	3,5	90	90	66	4
25	100	100	75	5,5	100	100	80	7
32	105	105	90	8	105	105	90	10
40	115	115	100	11	115	115	100	14
50	125	125	110	14	125	125	110	19
65	145	145	130	23	145	145	130	30
80	155	155	140	30	155	155	140	36
100	175	175	170	47	175	175	170	59
150	225	225	210	96	225	225	240	120
200	275	275	235	190	275	275	260	270
250	---	---	---	---	---	---	---	---
300	---	---	---	---	---	---	---	---

## TYPE DESIGNATION

### Z15 AC/DE M<sub>1</sub> PN/S

#### A BODY DESIGN

- 1 Direct
- 2 Angle

#### C CONNECTION INTO PIPE

- 1 Flanged
- 2 Welded

#### D FLANGE FACING

##### FLANGES BY EN 1092 - 1

- A Flat face
- B Raised face
- C Tongue face
- D Groove face
- E Spigot
- F Recess
- G O - ring recess
- H O - ring groove

#### E CONTROL

- 7 Automatic

#### M<sub>1</sub> BODY MATERIAL

- 0 Stainless steel
- 2 Cast alloy steel
- 5 Cast Carbon steel
- LT Carbon steel for low temperatures

#### S SPECIAL EXECUTION

- As Antistatic

