

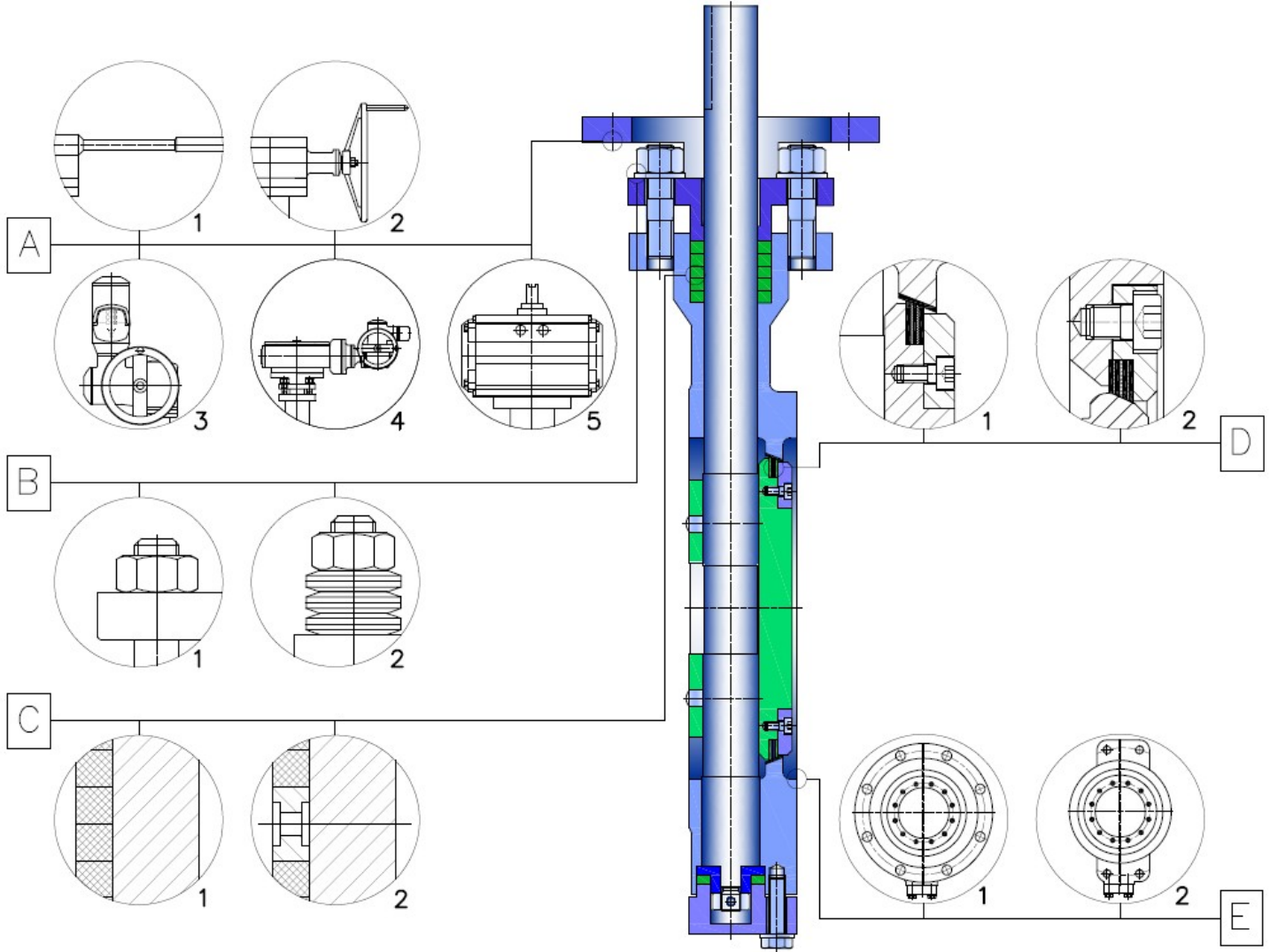
Technical description

Eccentric butterfly valves are designed and manufactured to ensure maximum durability and reliability. Valves meet requirements of EN 12516-1, EN 12516-2, EN 558-1 standards.

Material specification

Eccentric butterfly valves are made from carbon, alloyed and stainless steels. Material execution of butterfly valves can be selected according to the customer's request so that it suits as much as possible valves service conditions.

STRUCTURAL DESIGN OF BUTTERFLY VALVE



A - Control

- by lever (up to DN 150 including)
- gear-box
- electric actuator
- electric actuator with gear-box
- air-powered actuator

B – Gland compression

- In case of valve operation with cyclic changes in pressure or at high pressures and temperatures, the gland compression by means of Belleville springs, which secure a constant pre-stress in packing, is preferred.

C – Execution of gland

- standard
- double stem packing with lantern ring – shall be chosen in dependence on working conditions

D – Seat execution

- PTFE
- Viton
- Stainless steel
- NBR
- EPDM
- Stainless steel + graphite

The seat ring can be placed either in the body or on the disc

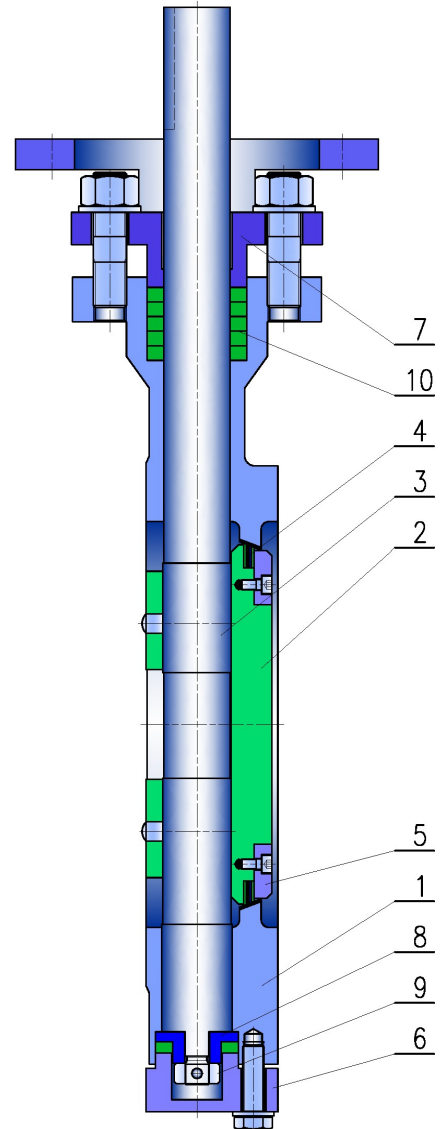
E – Connection into piping

- Flanged, wafer type
- with rough or smooth raised face, male-female facing, tongue-groove facing

Material specification

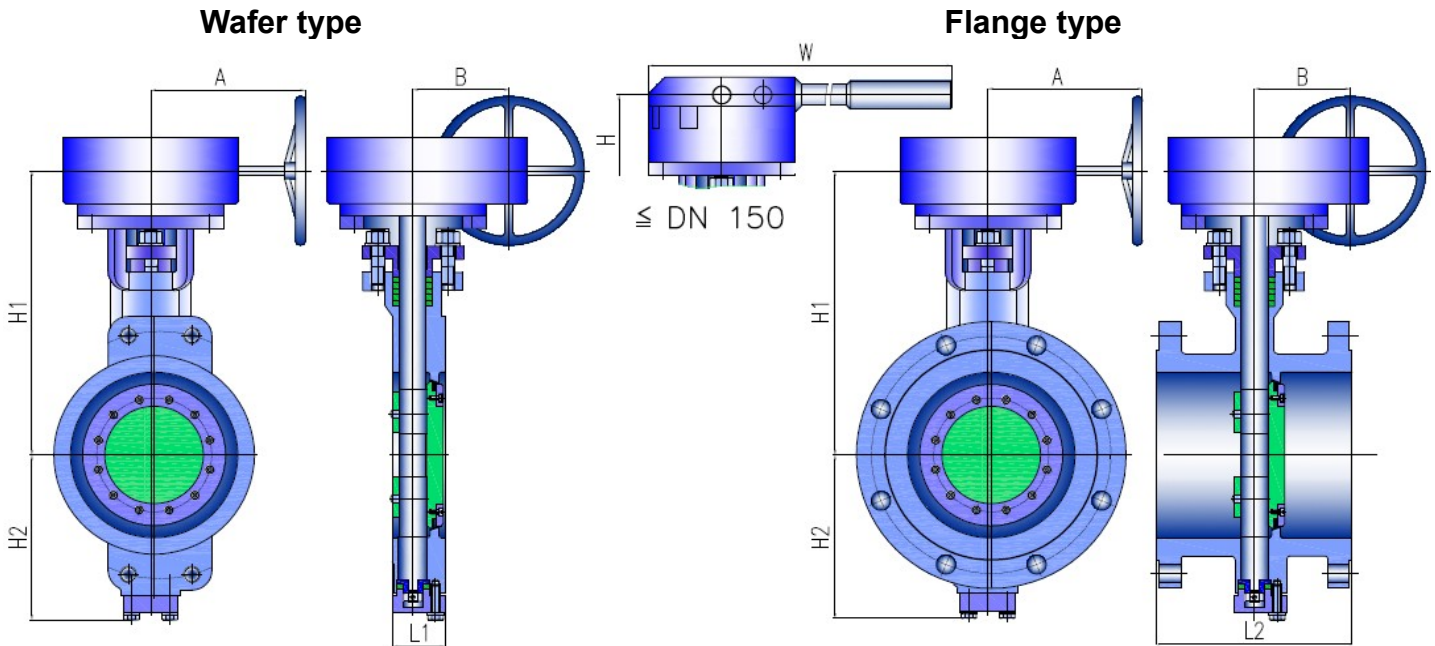
Basic standards for design

- Building length.....EN 558-1
- Flange dimensions.....EN 1092-1
- Testing.....EN 12266-1
- Pressure-temperature ratingEN 12516-1
- Top flange dimension.....EN ISO 5211



pos.	Designation	WCB	LCB	WC6	WC9	CF8 / 304	CF8M / 316
1	Body	A216 WCB	A352 LCB	A217 WC6	A217 WC9	A351 CF8	A351 CF8M
2	Disc	A216 WCB	A352 LCB	A217 WC6	A217 WC9	A351 CF8	A351 CF8M
3	Control stem	AISI 420	AISI 420	AISI 420	AISI 420	A182 F304	A182 F316
4	Seat	AISI 430 + graphite	AISI 430 + graphite	AISI 430 + graphite	AISI 430 + graphite	AISI 304 + graphite	AISI 316 + graphite
5	Retaining ring	A216 WCB	A352 LCB	A217 WC6	A217 WC9	A351 CF8	A351 CF8M
6	Bottom cover	A216 WCB	A352 LCB	A217 WC6	A217 WC9	A351 CF8	A351 CF8M
7	Gland flange	A216 WCB	A352 LCB	A217 WC6	A217 WC9	A351 CF8	A351 CF8M
8	Bolt	A193 B7	A320 L7	A193 B16	A193 B16	A193 B8	A193 B8M
9	Bolt	A193 B7	A320 L7	A193 B16	A193 B16	A193 B8	A193 B8M
10	Nut	A194 2H	A194 4	A194 B8M	A194 B8M	A194 8	A194 8M
11	Gland packing	graphite	graphite	graphite	graphite	graphite	graphite
12	Gasket	graphite	graphite	graphite	graphite	graphite	graphite

DE BTF



Type designation

DE BTF YZ - M / S / A PN

DE BTF – VALVE TYPE– ECCENTRIC BUTTERFLY VALVE

Y – PIPELINE CONNECTION

- 1...Flanged
- 7...Wafer type

Z – CONTROL METHOD

- 1...by Lever
- 2...Gear-box with hand wheel
- 3...Electric -actuator
- 4...Air-powered actuator
- 5...Bare shaft
- 6...Electric-actuator with gear-box

M – BODY AND DISC MATERIAL

- 0...Stainless steel (CF8)
- 1...Nodular cast iron
- 5...Carbon steel
- 7...Stainless steel (CF8M)

S – SEAT MATERIAL

- 1...PTFE
- 2...VITON
- 0...Stainless steel
- N...NBR
- E...EPDM
- HS...Stainless steel + graphite

A – SPECIAL EXECUTION

- AS...Antistatic design

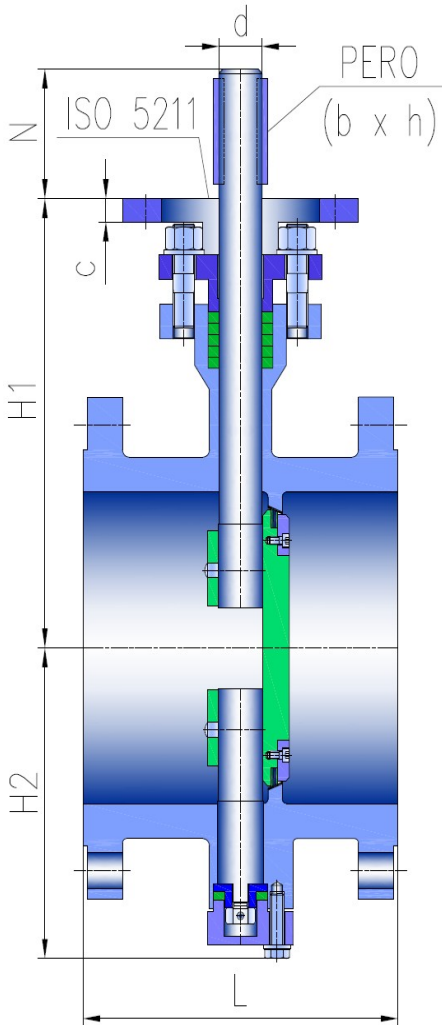
With lever

DN	PN 16						PN 40							
	L1	L2	H1	H2	W	kg		L1	L2	H1	H2	W	kg	
						L1	L2						L1	L2
40	47	106	155	49	180	3,4	3,8	54	106	155	49	180	3,4	3,8
50	50	108	162	59	200	4,1	4,8	58	108	162	59	200	5	5,8
65	55	112	179	67	230	6	6,8	62	112	179	82	230	7,2	8
80	57	114	187	89	250	7,7	8,9	66	114	187	89	250	9	10
100	57	127	202	101	270	9,8	11	66	127	202	108	270	12	13,5
125	60	140	218	115	300	13	14,5	72	140	218	127	300	16	17,5
150	64	140	232	130	350	18	20	74	140	232	140	350	22	24

With gear-box

DN	PN 16						PN 40									
	L1	L2	H1	H2	A	B	kg		L1	L2	H1	H2	A	B	kg	
							L1	L2							L1	L2
200	86	152	297	205	170	84	37,5	41	86	152	297	205	170	84	37,5	41
250	96	165	327	235	170	84	54,5	60	96	165	327	235	170	84	54,5	60
300	108	178	364	275	200	108	90	99	108	178	364	275	200	108	90	99
350	114	190	404	309	200	108	116	127	114	190	404	309	200	108	116	127
400	126	216	444	346	240	128	157	183	126	216	444	346	240	128	157	183
450	134	222	472	392	240	152	207	227	134	222	472	392	240	152	207	227
500	144	229	522	427	300	68	269	295	144	229	522	427	300	168	269	295
600	163	267	608	509	320	192	378	415	163	267	608	509	320	192	378	415
700	184	292	795	572	332	218	554	609	184	292	795	572	332	218	554	609
800	184	318	835	638	350	237	673	740	184	318	835	638	350	237	673	740
900	-	300	885	700	350	237	-	788	-	300	885	700	350	237	-	788
1000	-	330	945	765	350	237	-	888	-	300	945	765	350	237	-	888

DE BTF R



DN	PN 10									
	L	H1	H2	ISO 5211	d	N	c	ШПОНКА		kg
								b	h	
200	230	200	180	F10	25	40	15	8	7	74
250	250	240	200	F12	30	40	20	8	7	114
300	270	255	230	F12	30	50	20	8	7	148
350	290	280	260	F12	35	50	20	10	8	183
400	310	310	300	F12	35	50	20	10	8	215
500	350	375	355	F14	40	70	25	12	8	337
600	390	744	542	F16	50	85	25	14	9	511
700	430	754	510	F16	65	90	25	18	11	905
800	470	824	595	F16	70	90	25	20	12	1221
900	510	916	660	F16	75	100	30	20	12	1576
1000	550	1000	740	F25	80	110	30	22	14	2090
1200	630	1237	880	F25	80	110	30	22	14	2227
1400	710	1367	1013	F25	90	110	35	22	14	2705
1600	790	1638	1113	F25	100	110	35	22	14	4327

DN	PN 16									
	L	H1	H2	ISO 5211	d	N	c	ШПОНКА		kg
								b	h	
200	230	200	180	F10	25	40	15	8	7	74
250	250	240	200	F12	30	50	20	8	7	114
300	270	255	230	F12	35	50	20	10	8	148
350	290	280	260	F12	40	50	20	12	8	183
400	310	310	300	F14	40	70	20	12	8	215
500	350	375	355	F16	50	90	25	14	9	337
600	390	744	542	F25	65	90	25	18	11	511
700	430	754	510	F25	70	110	25	20	12	905
800	470	824	595	F25	85	110	25	22	14	1221
900	510	916	660	F25	90	110	30	25	14	1576
1000	550	1000	740	F30	100	130	30	28	16	2090
1200	630	1237	880	F30	100	130	30	28	16	2227
1400	710	1367	1013	F30	120	130	35	32	18	2705
1600	790	1638	1113	F30	120	130	35	32	18	4327

Type designation

DE BTF R YZ - M / S / A PN

DE BTF R – VALVE TYPE– ECCENTRIC BUTTERFLY VALVE

Y – PIPELINE CONNECTION

1...Flanged

Z – CONTROL

1...by Lever

2...Hand wheel with gear-box

3...Electric actuator

4...Air powered actuator

5...Bare shaft

6...Electric actuator with gear-box

M – BODY AND DISC MATERIAL

1...Nodular cast iron

3...Grey cast iron

5...Carbon steel

S – SEAT MATERIAL

V.....VITON

O.....Stainless steel

N.....NBR

E.....EPDM

T.....PTFE

HS.....Stainless steel + graphite

A – SPECIAL EXECUTION

AS.....Antistatic design