

**TECHNICAL DESCRIPTION**

Steel globe valves are designed and manufactured to ensure maximum durability and reliability. Valves meet requirements of EN 12516-1, EN 12516-2 standards. As a standard, the Globe valves are made with a closing disc. The regulating disc can be supplied upon the customer's request. The regulating disc provides not only regulation the flow of fluid, but also ensure tightness of the closure.

Basic standards for design

- Building lengths.....see enclosed table
- Flange dimension.....ANSI B16.5, DIN 2548, DIN 2549, ČSN 13 9711, GOST 12815-80, GOST 9399-81
- Welded-on ends dimension.....EN 12627, ANSI B16.25
- Testing.....EN 12266-1
- Pressure-temperature rating .....EN 12516-1
- Top flange dimensions.....EN ISO 5210

Control

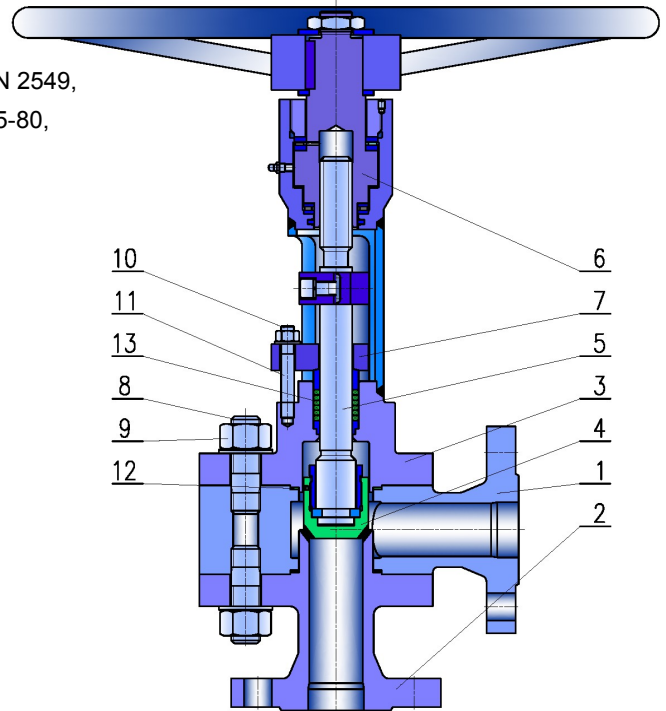
Hand wheel, gear-box, electric actuator, pneumatic actuator or hydraulic actuator.

Connection into piping

Flanged, welding-on, threaded flanges with the lens gasket

**APPLICATION**

The valves of this design are able to work in a wide range of operating temperatures and pressures. The valves can be used for water, steam, air, alkaline or acidic fluid, oil, crude oil, crude oil products, hydrocarbons (their mixtures) and other fluids.



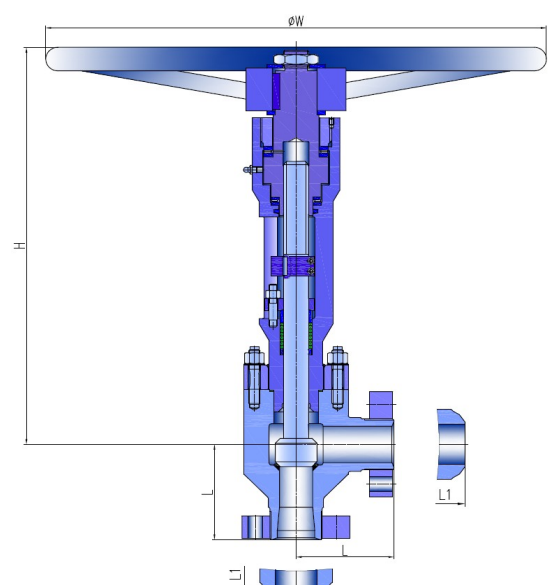
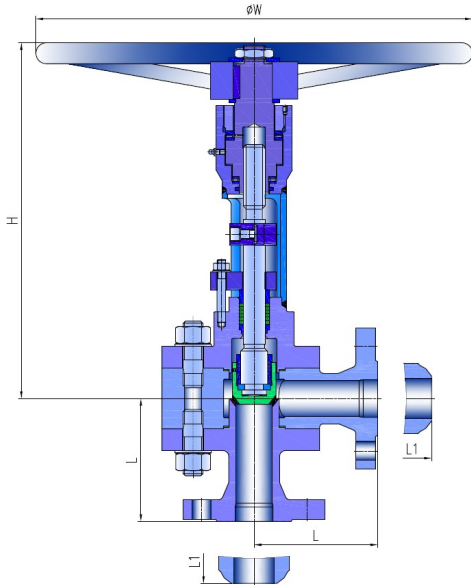
**Material specifications**

pos.	Description	Material							
		P355QH	P355NH	X5CrNi18-10 (304)	X6CrNiTi18-10	X2CrNi19-11 (304L)	X5CrNiMo17-12-2 (316)	X2CrNiMo17-12-2 (316L)	14MoV6-3
1	Body	P355QH	P355NH	X5CrNi18-10 (304)	X6CrNiTi18-10	X2CrNi19-11 (304L)	X5CrNiMo17-12-2 (316)	X2CrNiMo17-12-2 (316L)	14MoV6-3
2	Bottom bonnet	P355QH	P355NH	X5CrNi18-10 (304)	X6CrNiTi18-10	X2CrNi19-11 (304L)	X5CrNiMo17-12-2 (316)	X2CrNiMo17-12-2 (316L)	14MoV6-3
3	Top bonnet	P355QH	P355NH	X5CrNi18-10 (304)	X6CrNiTi18-10	X2CrNi19-11 (304L)	X5CrNiMo17-12-2 (316)	X2CrNiMo17-12-2 (316L)	14MoV6-3
4	Disk	X46Cr13, X2CrNiMo17-12-2 + overlay	X46Cr13, X2CrNiMo17-12-2 + overlay	X5CrNi18-10 (304) + overlay	X6CrNiTi18-10 + overlay	X46Cr13, X2CrNi19-11 (304L) + overlay	X46Cr13, X5CrNiMo17-12-2 (316) + overlay	X2CrNiMo17-12-2 (316L) + overlay	X6CrNiTi18-10 + overlay
5	Stem	X20Cr13, X22CrMoV12-1	X20Cr13, X22CrMoV12-1	X5CrNi18-10, X20Cr13, X22CrMoV12-1	X6CrNiTi18-10, X12Cr13, X22CrMoV12-1	X2CrNi19-11, X22CrMoV12-1, X20Cr13	X5CrNiMo17-12-2, X22CrMoV12-1, X20Cr13	X2CrNiMo17-12-2, X22CrMoV12-1, X20Cr13	X22CrMoV12-1
6	Steam nut	Bronze (42 3046)							
7	Gland flange	P355QH	P355NH	X5CrNi18-10 (304)	X6CrNiTi18-10	X2CrNi19-11 (304L)	X5CrNiMo17-12-2 (316)	X2CrNiMo17-12-2 (316L)	14MoV6-3
8	Bolt	25CrMo4	21CrMoV 5-7	1.4980	1.4980	A2 - 70, 25CrMo4	A2 - 70, 25CrMo4	A2 - 70, 25CrMo4	1.4980
9	Nut	A2 - 70	24CrMoV 5-5	1.4980	1.4980	A2 - 70	A2 - 70	A2 - 70	1.4980
10	Bolt	25CrMo4	21CrMoV 5-7	1.4980	1.4980	A2 - 70, 25CrMo4	A2 - 70, 25CrMo4	A2 - 70, 25CrMo4	1.4980
11	Nut	A2 - 70	24CrMoV 5-5	1.4980	1.4980	A2 - 70	A2 - 70	A2 - 70	1.4980
12	Gasket	Graphite, Graphite + AISI 321, Graphite + AIS 316Ti							
13	Gland packing	Graphite + PTFE							

Material execution of globe valves can be selected according to the customer's request so that it suits as much as possible valves' service conditions.

PN 160, 250, CLASS 900, 1500, 2500

PN 320



DN	PN 160					PN 250					PN 320				
	L	L1	H	W	(kg)	L	L1	H	W	(kg)	L	L1	H	W	(kg)
6	105	60	240	100	6	115	60	240	150	6	60	60	240	150	6
10	105	80	260	200	8	115	80	260	200	8	85	85	260	250	8
15	115	80	280	200	10	130	108	350	200	10	95	132	350	250	10
25	130	127	340	200	15	130	127	400	200	15	110	154	400	400	16
40	150	152	400	300	25	150	152	500	300	25	150	192	500	500	41
50	170	184	500	400	85	175	184	600	400	85	170	225	600	630	91
65	215	210	550	500	95	215	210	700	500	95	200	254	700	710	112
80	225	190	600	630	120	225	235	800	630	120	235	289	950	710	144
100	250	229	700	630	155	250	273	900	630	155	290	337	1200	800	186
125	325	279	800	710	230	325	337	1000	710	230	-	-	-	-	-
150	400	305	900	710	280	400	352	1100	710	280	-	-	-	-	-

NPS	CLASS 900					CLASS 1500					CLASS 2500				
	L	L1	H	W	(kg)	L	L1	H	W	(kg)	L	L1	H	W	(kg)
1/2	115 / 114	108	280	200	10	130 / 114	108	350	200	10	132	108	350	250	10
1	130 / 127	127	340	200	15	130 / 127	127	400	200	15	150	127	400	400	16
1 1/2	150 / 152	152	400	300	25	150 / 152	152	500	300	25	192	152	500	500	41
2	170 / 184	184	500	400	85	175 / 184	184	600	400	85	225	184	600	630	91
2 1/2	215 / 210	210	550	500	95	215 / 210	210	700	500	95	254	210	700	710	112
3	225 / 190	190	600	630	120	225 / 235	235	800	630	120	289	235	950	710	144
4	250 / 229	229	700	630	155	250 / 273	273	900	630	155	337	273	1200	800	186
5	325 / 280	279	800	710	230	325 / 337	337	1000	710	230	-	-	-	-	-
6	400 / 305	305	900	710	280	400 / 352	352	1100	710	280	-	-	-	-	-

**Type description**

**GLB PN/C - M - A**

GLB- VALVE TYPE – GLOBE VALVE

PN – NOMINAL PRESSURE

C – PIPELINE CONNECTION

A – CONTROL METHOD

F...Flanged

F...Hand wheel

W...Welding-on

GO...Gear box with hand-wheel

M – BODY MATERIAL

EOP...Electric actuator

CS...Carbon steel

POP...Pneumatic actuator

AS...Alloy steel

X...Bare shaft

SS...Stainless steel

