

**Application**

The ball valves of this design are used in pipeline system as shut-off units. These valves are intended for aggressive and non-aggressive liquids, toxic-free and non-explosive gases except fuel gas. Basically their application is in chemical and food industries and in a process, where contamination of the working medium by product of corrosion is not permitted. Allowable working temperature ranges from -50 to +230°C.

Basic standards for design

Basic design.....API 6D, EN 12516-1

Testing.....EN 12266-1

Pressure-temperature dependence.....EN 12516-1

Control method

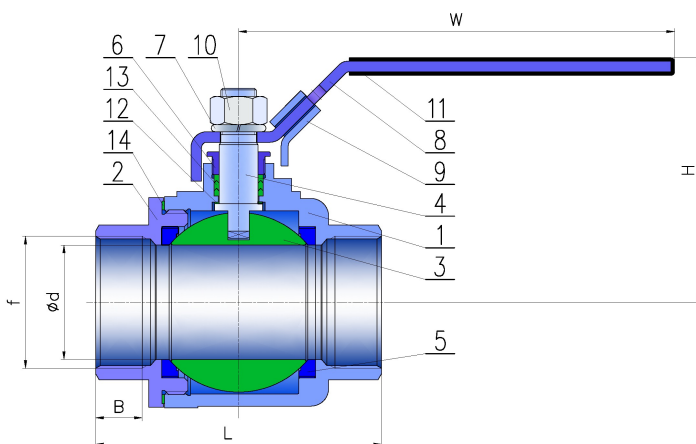
By: hand lever, gearbox, electric actuator, pneumatic actuator

Connection into piping

Screwed – thread type Rp according to ČSN ISO 7-1, type G according to ČSN ISO 228-1 or type NPT according to ANSI/ASME B1.20.1

Material specification

Pos.	Designation	Material		
1	Body	A216 WCB	A351 CF8	A351 CF8M
2	Bonnet	A216 WCB	A351 CF8	A351 CF8M
3	Ball	A351CF8,304,316	A351 CF8	A351 CF8M
4	Stem	316		
5	Seat	PTFE, PTFE + glass, PTFE + graphite, PTFE+ stainless steel		
6	Gland flange	316		
7	Washer	304		
8	Lever	304		
9	Locking device	304		
10	Stem nut	304		
11	Cover of lever	Plastic		
12	Thrust washer	304		
13	Stem packing	PTFE, PTFE + glass, PTFE + graphite, PTFE+ stainless steel		
14	Joint gasket	PTFE, PTFE + glass, PTFE + graphite, PTFE+ stainless steel		



**Building length PN 16, 25, 40, 63**

DN	d	L	f	B	H	W	(kg)
8	11.2	49	1/4	12	51	95	0.25
10	12.6	49	3/8	12	51	95	0.25
15	16	57	1/2	15	53	95	0.45
20	20	65	3/4	17.5	59	110	0.5
25	25	78	1	19.5	73	135	1.1
32	32	90.5	1 1/4	21.5	78	135	1.6
40	38.1	105	1 1/2	21.5	91	165	2.3
50	50.8	127	2	22	99	165	3.7
65	65	160	2 1/2	27.5	130	215	4.6
80	80	187	3	32	142	215	5.8
100	100	260	4	35	174	325	8.4

**Type designation**

**V-006 X Y Z M / F PN**

**V-006** — Valve type— Ball valve

**X** — CONNECTION INTO PIPING

**I**...Screwed

**Y** — TOP FLANGE

**I**...without top flange

**M**...with top flange

**Z** — LOCK DEVICE

**I**...without locking device

**L**...with locking device

**M** — BODY MATERIAL

**CS**...Carbon steel

**AS**...Alloy steel

**SS**...Stainless steel

**F** — SPECIAL EXECUTION

**PN** — NOMINAL PRASSURE

